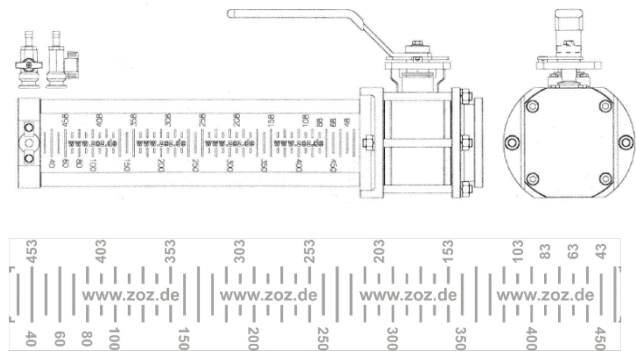
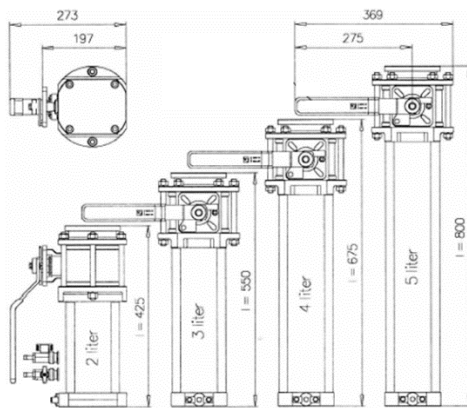
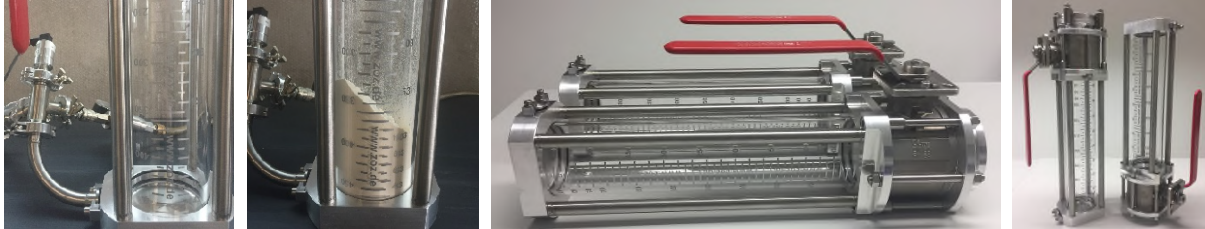


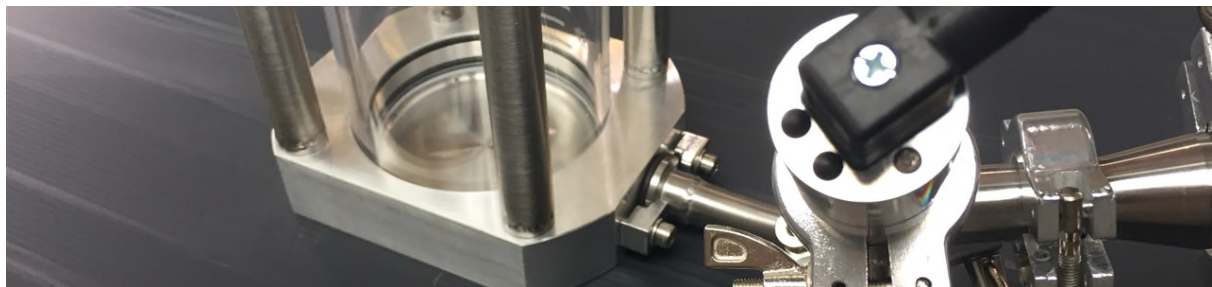
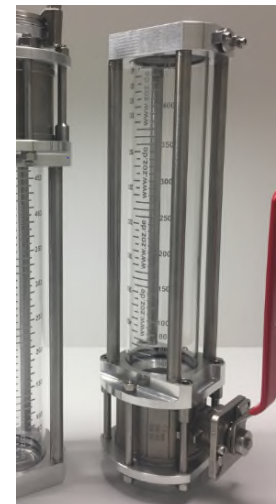
# Glass-Tube-Container GTC-DN100

for insitu supervision  
 of particularly super-low-dense products



## Dimensions GTC100-\*\*

unit size	01	02	03	04	05	06	07	L650
volume [l]	1	2	3	4	5	6	7	3.8
unit-length [mm]	300	425	550	675	800	925	1050	650
block-size [mm]	160x130/197/273							
glass-tube	110 x 5							
ports main	DN100-G3/D80							
bottom nozzle (BN)	8x D1.5 (gas-flow & -blow)							
port auxiliary (BN)	DN16							
net-weight [kg]	13.1	13.8	14.5	15.1	15.8	16.5	17.2	15.0
max. load [kg]	10	20	30	40	50	60	70	40
type -m	electric drive unit for ball-valve to be added, net-weight is plus 14 kg							
ports	standard-KF							
operation pressure	1 bar max., evacuation max. 3x10 <sup>-1</sup> hPa							
operation temp.	45°C max.							
material	stainless steel 1.4301/Al5083/acrylic glass/glass (the latter adds to weight)							
seals	NBR/PTFE							
definition example	glass-tube container GTC-DN100-04 (standard, net-volume 4 liter) glass-tube container GTC-DN100 x 650 (custom-made, unit length 650 mm)							



technical data subject to alterations