

Heat Exchanger WT**

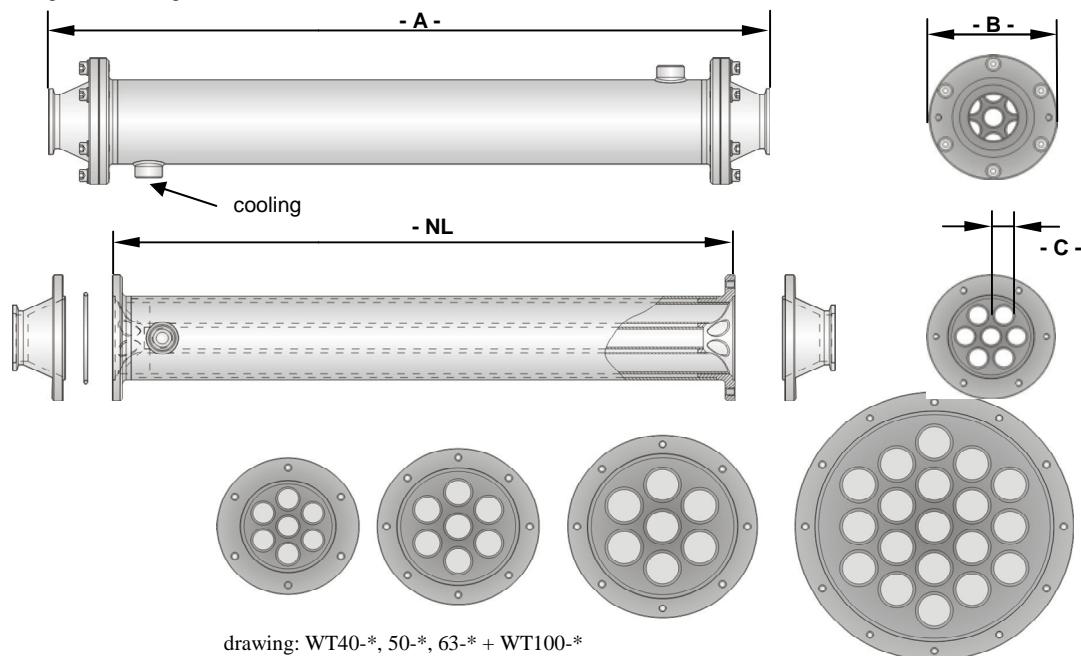
Application

cooling of multi-phase flows with low to medium solid-load in aero-dynamic systems of continuous / semi-continuous processing preferably in vertical assembly:

- low barrier effect due to steep-conical flow-in and flow-out
- unit size according to pipe switches of Simoloyer CM01-CM900 (semi-continuous)
- standard-KF-ports



drawing: heat exchanger WT40



drawing: WT40-*, 50-*, 63-* + WT100-*

Technical Data, Dimensions

unit size	WT40-*	WT50-*	WT63-*	WT100-*
for Simoloyer Conti-s1	CM01/CM08	CM08/CM20	CM20/CM100	CM400/CM900
port 1 (flow in)	DN40	DN50	DN63	DN100
port 2 (flow out)	DN40	DN50	DN63	DN100
ports 3 (cooling)	G 3/8	G 1/2	G 3/4	G 1
cooling length -NL- [mm]	500, 750, 1000			
unit length -A- [mm]	NL + 80	NL + 90	NL + 100	NL + 130
flange width -B- [mm]	105	120	140	205
nominal width -C- [mm]	NW15	NW19	NW24	NW24
number of cooling pipes	7	7	7	19
surface-factor OFF	3.5	3.1	3.0	4.9
cross-section-factor QSF	1.5	1.2	1.2	1.1
net weight at NL = 500	7.2 kg	8.8 kg	12.5 kg	28.0 kg
net weight at NL = 750	9.2 kg	11.2 kg	16.1 kg	36.3 kg
net weight at NL = 1000	11.1 kg	13.6 kg	19.7 kg	44.6 kg
operation pressure	2 bar max.			
operation temperature	50 °C max.			
ports	standard-KF			
material	stainless steel 1.4301			
definition example	heat exchanger WT40-500 (DN40 x 500 cooling length NL)			



Options

- temperature measurement
- quick connectings for cooling
- supply by cooling block of Simoloyer[®]
- support

technical data subject to alteration