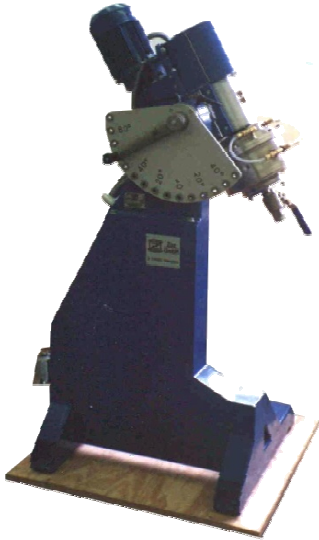


Ballmill BM04

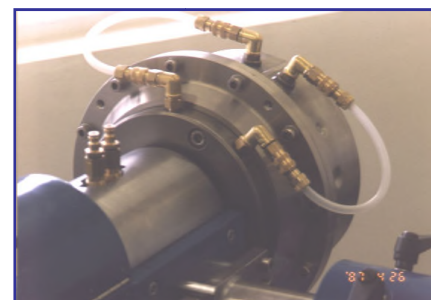
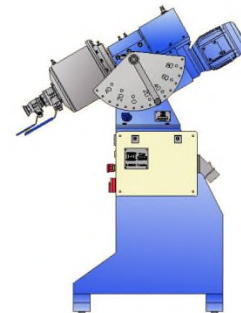
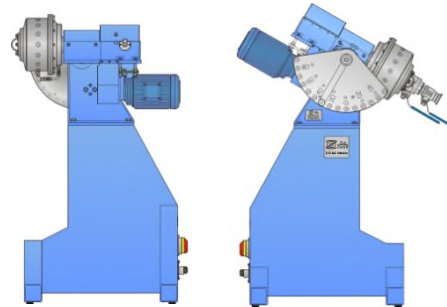


Application

low – medium kinetic milling apparatus in laboratory scale:

- fine grinding, mixing, dispersing, homogenizing
- wet & dry operation, controlled atmosphere
- ceramics, metals, minerals, polymers & fibers
- paints, pigments, enamel, tungsten carbide, chemicals

BM04-4l & BM04-8l



| Technical data | |
|--------------------------|--------------------------------|
| L x B x H | 700 x 650 x 1350 mm |
| net weight | 163 kg (grinding unit BW04-4l) |
| inverter drive-power | 0,75 kW |
| power-supply | 220/400 VAC |
| rotational-speed, direct | 60-100 rpm |
| cooling system | bearings |
| turning range | -90° → +50° |
| grinding unit BW04-4l | ∅ 220 x 120, 4 liter, 22 kg |
| grinding unit BW04-8l | ∅ 280 x 140, 8 liter, 32 kg |
| material | stainless steel, 1.4301 |
| cooling/heating system | vessel & flange |
| airlock system port | NW70 |
| airlock system | DN40 |
| atmosphere | inert gas or vacuum |
| electrical control | timer & speed-control |

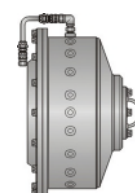
Operation modes

| | | |
|----------------------|-------------------------------|---------------|
| horizontal operation | vessel in horizontal position | processing |
| angel operation | vessel turned -90° → +50° | processing |
| loading operation | vessel turned +50°/-70 → -90° | dis-/charging |

Options

- vessel in wear-resistible steel, alumina or rubber linings;
- vessel coated with ceramic, WC-Co, CVD-coatings et al.;
- airlock systems, dead-zone-free valves, container, sample units...

technical data subject to alterations



Grinding unit BW04-8l



Grinding unit BW04-4l