

Discharging Valve RD

- circle gap, dynamic -

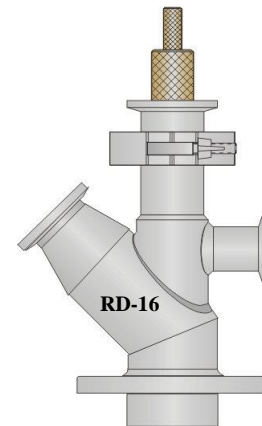
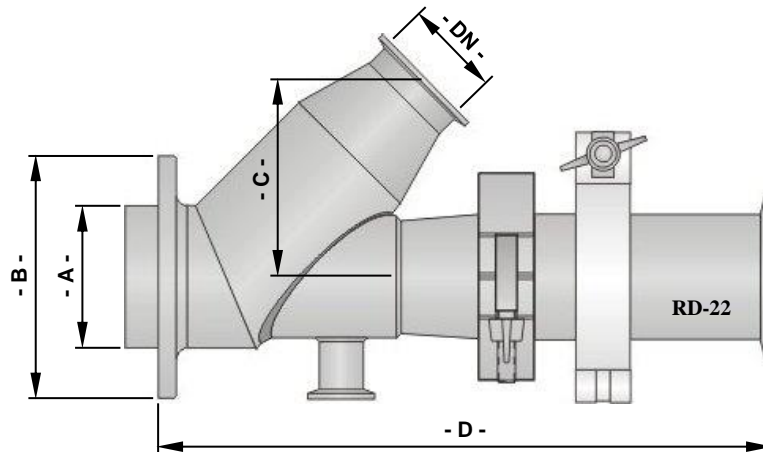
application

RD Discharging Valve for discharging powder material in horizontal installation and for liquid products in vertical and/or horizontal assembly under protected condition without any dead zones. Closed system to inside & outside, no blocking by segregation or caking inside the valve, high throughput, easy cleaning & maintenance.



utilization

HV-Simoloyer®, semi-continuous Simoloyer®, commercial mills and mixers with static vessel, practically for all closed systems where grinding media is processing, also for commercial agitator tanks. Vertical and horizontal assembly.



technical data, dimensions

unit size	RD-16	RD-22	RD-44
KF-port flow out	DN25	DN40	DN63
assembly gate A [mm]	ø 41	ø 65	ø 110
flange / suspension B [mm]	D85-4M6	D110-6M6	D150-6M8
45° deviation C [mm]	54	91	128
assembly length (closed) D [mm]	185	280	365
true gateway	NW16-20	NW22-30	NW44-54
air-lock port	DN16	DN16	DN16
range vertical [mm]	-3 / -8	-3 / -8	-3 / -8
no. of circle-gaps	1	1	1
operation pressure & temperature	2 bar max., 50°C max.		
ports & material	standard-KF, stainless steel 1.4301		
maintenance	restorable wear-parts		
definition example	Discharging Valve RD-22		

