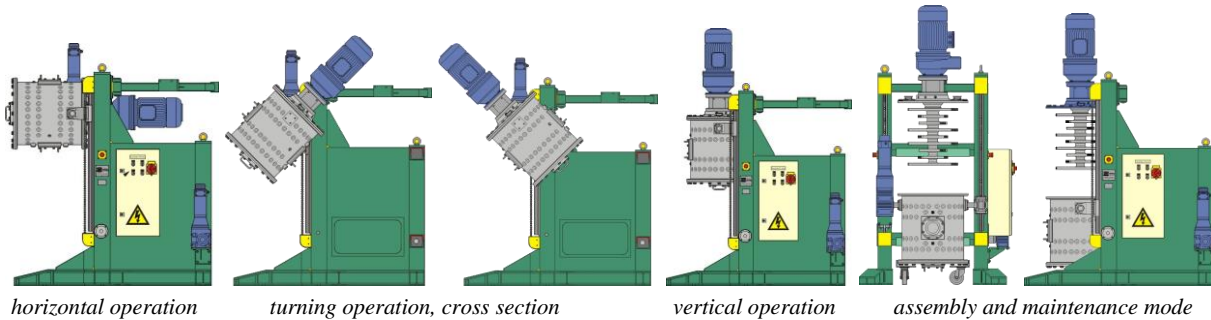


Patent No.  
 US 6,405,952 B1

# HV-Simoloyer<sup>®</sup>

## HV10 - HV900



technical data	HV10	HV50	HV100	HV250	HV400	HV900
vessel volume [l]	10	50	100	250	400	900
net weight [kg]	375	850	1350	2100	2950	3100
main inverter drive, power [kW]	1,5 / 3	5 / 10	7,5 / 17,5	17,5 / 27	27 / 55	55 / 90
power-supply	400 V, 3 phase					
rotational-speed, direct [rpm]	150-600	100-500	75-425	50-350	50-300	40-225
aux. inverter drive, turning range	adjustable during operation, turning range 0 - 135°					
aux. inverter drive, lifting range [mm]	400	600	800	900	1000	1200
drive comm. (3)	Maltoz <sup>®</sup> -software					
vessel & flange	stainless steel, 1.4301					
rotor type DMC						
atmosphere	vacuum or inert gas					
airlock system port	NW50	NW100	NW150	NW200	NW250	NW300
airlock system, option	DN40/DN50	DN50/DN63	DN63/DN100	DN100/DN150	DN100/DN150	DN150/DN200
cooling system	vessel, main bearings, pre-seal-unit					
electronic control	Maltoz <sup>®</sup> -software					

### application

- low – medium kinetic milling apparatus:
- fine grinding, mixing, dispersing, homogenizing;
  - wet & dry operation, controlled atmosphere;
  - ceramics, metals, minerals, polymers & fibers;
  - paints, pigments, enamel, tungsten carbide, chemicals.



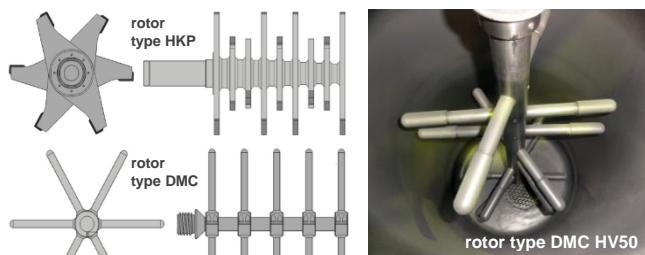
### operation modes

vessel in horizontal position	batch & continuously
vessel turns +/- 45°	batch & continuously
vessel in vertical position	batch & continuously
vessel in vertical position	batch & batch-open



### options

- rotor type HKP (stainless steel & WC-Co)
- heating system for vessel
- vessel in wear-resistible steel, alumina or rubber lining
- vessel & rotor coated with ceramic, WC-Co, CVD-coatings et al.
- rotor type DMC with ceramic bulk protection or coating
- airlock systems, dead-zone-free valves, vessel-carts, container, sample units, etc.



technical data subject to alterations