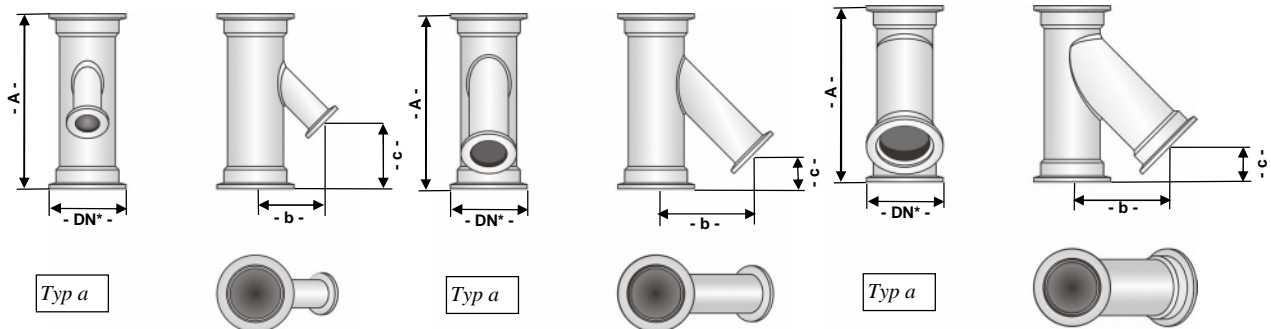


KF-junction-tubes

Application

KF-flange-unit for pipe-systems with active junctions in particular for the transfer of powder material and granules in continuous / semi-continuous processing in aero-dynamic system:

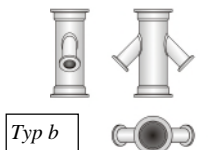
- flow switch
- bypass
- injection
 - standard-KF-ports
 - 45°-transition without shading



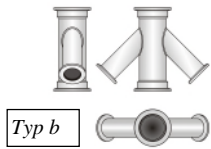
Typ a

Typ a

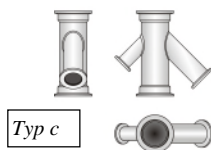
Typ a



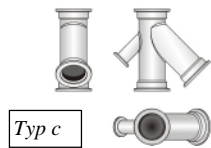
Typ b



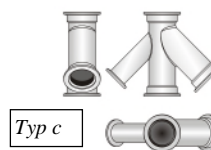
Typ b



Typ c



Typ c



Typ c

Dimensions

unit size DN*-.45° x	16*-.16	25*-.25	40*-.40	50*-.50	63*-.63	100*-.100
unit-flanges	DN	DN16	DN25	DN40	DN50	DN63
small junction	dn1	--	DN16	DN16	DN16	DN16
	dn2	--	--	DN25	DN25	DN25
	dn3	--	--	--	DN40	DN40
	dn4	--	--	--	--	DN50
	dn5	--	--	--	--	DN63
large junction	Dn1	DN16	DN25	DN25	DN25	DN25
	Dn2	--	--	DN40	DN40	DN40
	Dn3	--	--	--	DN50	DN50
	Dn4	--	--	--	--	DN63
	Dn5	--	--	--	--	DN100
unit length -A- [mm]	75	100	125	150	200	250
junction length	dn1	--	42x41	48x47	55x65	60x60
-b x c- [mm]	dn2	--	--	70x25	75x45	82x37
	dn3	--	--	--	75x40	85x75
	dn4	--	--	--	--	105x50
	dn5	--	--	--	--	125x55
junction length	Dn1	38x37	60x15	70x25	75x45	82x37
-b x c- [mm]	Dn2	--	--	70x25	75x40	85x75
	Dn3	--	--	--	100x10	105x50
	Dn4	--	--	--	--	130x20
	Dn5	--	--	--	--	165x15
net weight [kg] (1x junction minima)	0.2 kg	0.4 kg	0.5 kg	1.2 kg	2.2 kg	3.0 kg
types	Typ a = 1 junction, Typ b = 2 equal junctions, Typ c = 2 different junctions					
ports	standard-KF					
material	stainless steel 1.4301					
definition example	KF-junction-tube DN40-16-25-40-45° x 125					

Options

KF-junction-tubes can be customized in:

- unit length
- number and size of junctions
- location of junctions

technical data subject to alterations