

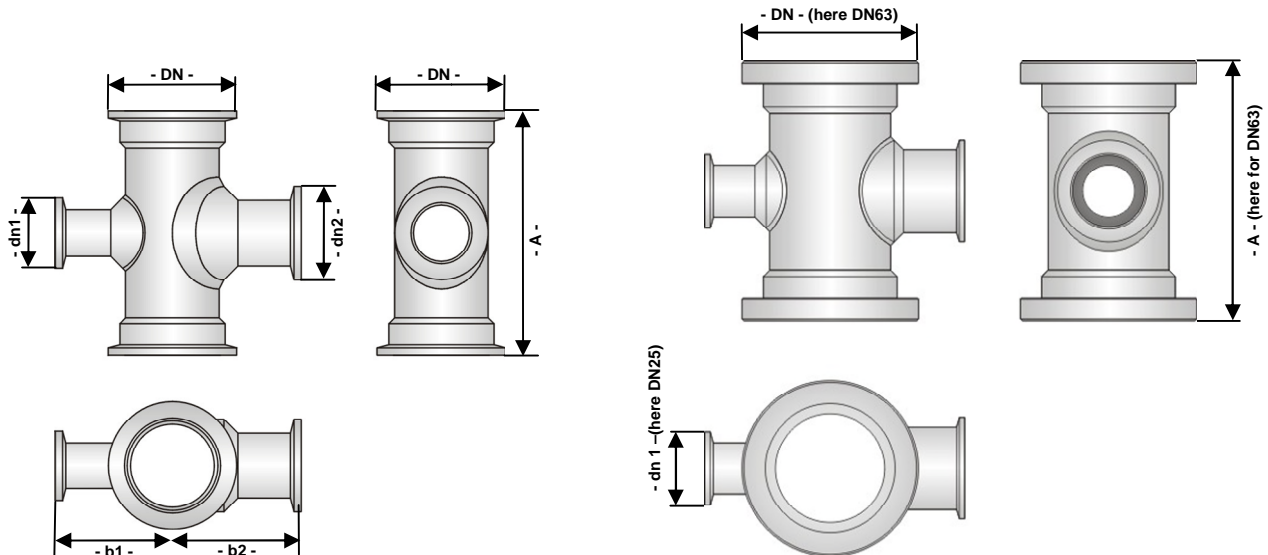
KF calming pipes



Application

KF-flange-unit in particular to be used as the cross-tube for air-lock-systems at Simoloyer:

- large KF-port for evacuation
- small KF-port for gas-supply
- standard-KF-ports
- transition without shading
- junctions with internal reduction



Dimensions

unit size DN*-90° red. x	40-16-25-40	50-16-25-50	63-25-40-63	100-25-40-100
for Simoloyer	CM01/08	CM08/20	CM20/100	CM400/900
unit-flanges -DN-	DN40	DN50	DN63	DN100
small flange -dn1-	DN16	DN16	DN25	DN25
large flange -dn2-	DN25	DN25	DN40	DN40
unit length -A- [mm]	105	120	140	160
flange length -b1- [mm]	50	55	67.5	89
flange length -b2- [mm]	55	60	72.5	94
net weight [kg]	0.4 kg	0.7 kg	1.5 kg	2.6 kg
ports	standard-KF			
material	stainless steel 1.4301			
definition example	calming pipe DN40-16-25-40-90° red. x 105			

technical data subject to alterations