

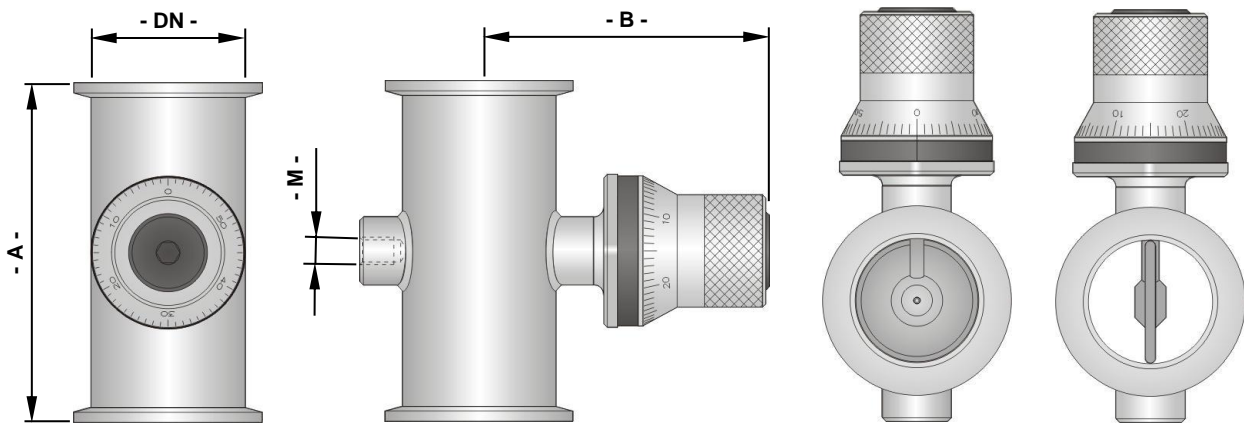
Butterfly Valve KV

- simply control the flow -



application

KV flap valve for gas flow control in aerodynamic systems. Closed simple system, operation under vacuum, fine adjustment with locking, easy cleaning and maintenance. Utilization e.g. at Simoloyer® auto-batch processing chamber inlet valves.



technical data, dimensions

unit size	KV-DN25	KV-DN40	KV-DN50	KV-DN63	KV-DN100
unit length A [mm]	100	100	120	150	200
gauge B [mm]	75	90	100	110	150
true gateway	NW23	NW36	NW46	NW59	NW80
KF-ports	DN25	DN40	DN50	DN63	DN100
suspension M	M10	M10	M12	M12	M12
weight [kg]	0.5	0.9	1.1	1.3	2.0
turning range	360°, 6°-steps				
turning scale	6°-steps				
shaft seal	radial ring seals NBR/stainless steel 1.4301				
pre-seal	PTFE				
material housing	stainless steel 1.4301				

