

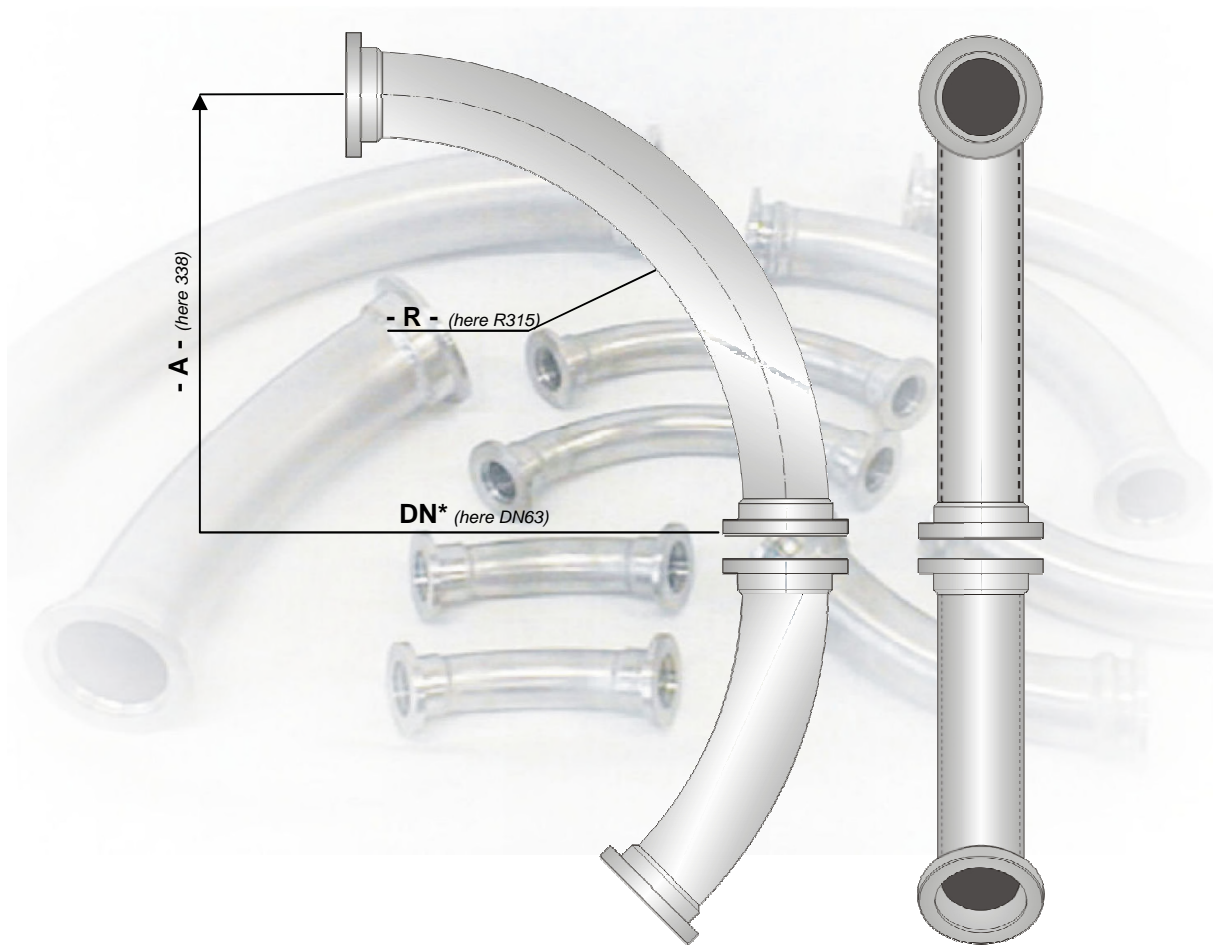
pipe bends RBA-DN*

for aero-dynamic systems

Application

transfer of powder material and granules in continuous / semi-continuous processing in aero-dynamic system:

- standard-KF-ports
- large bend-radius



| Dimensions | | | | | |
|------------------------|--|---------|---------|---------|---------|
| unit size RBA- | DN16 | DN25 | DN40 | DN50 | DN63 |
| block-length -A- (90°) | 94 mm | 139 mm | 214 mm | 269 mm | 338 mm |
| bend-radius -R- | 80 mm | 125 mm | 200 mm | 250 mm | 315 mm |
| bend-angel | 45° and 90°, other angels upon inquiry | | | | |
| net weight (45°) | 0.15 kg | 0.33 kg | 0.62 kg | 1.32 kg | 2.90 kg |
| net weight (90°) | 0.19 kg | 0.45 kg | 0.92 kg | 1.80 kg | 4.10 kg |
| ports | standard-KF | | | | |
| operation pressure | 2 bar max. | | | | |
| operation temperature | 200 °C max. | | | | |
| material | stainless steel 1.4301 | | | | |

technical data subject to alterations