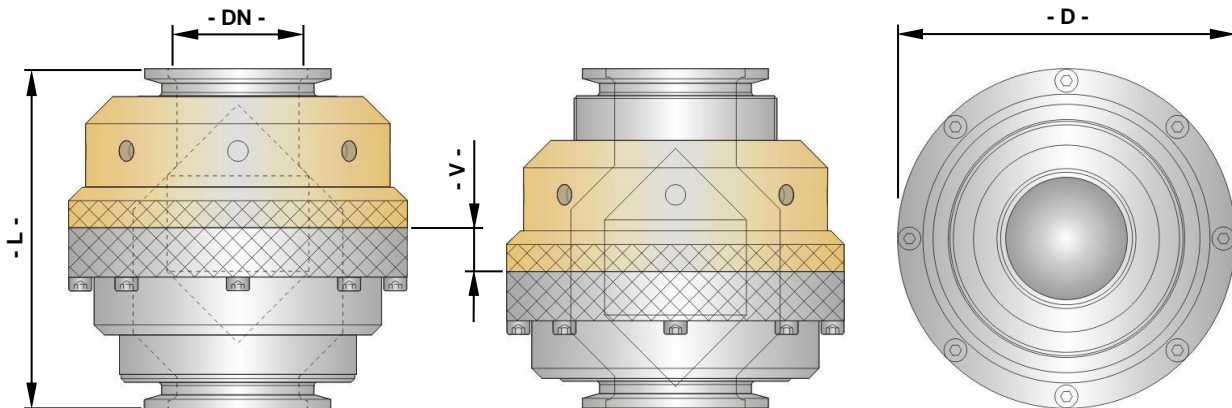


Aerodynamic Valve BV

- precise transfer without interference -

application

BV flow-valve for high-precision transfer control of powders, granules and multi-phase flows in aerodynamic systems of continuous / semi-continuous processes as well as in batch operation. Minimal vortex formation, step-less fine tuning with Auto-lock, closed system, easy cleaning and maintenance.



technical data, dimensions

unit size	BV-25	BV-40	BV-50	BV-63	BV-100
flow-in/out	DN25	DN40	DN50	DN63	DN100
true gateway	NW23	NW36	NW46	NW59	NW96
diameter D [mm]	80	100	120	140	190
unit length L [mm]	80	100	125	150	175
range vertical V [mm]	10	13	16	20	25
ports	standard-KF				
operation pressure	2 bar max.				
material lock-flange	Ms brass				
material casing	stainless steel 1.4301				
definition example	Aerodynamic Valve BV-63				



BV-63 as direct installation RSK-CM100

technical data subject to alterations