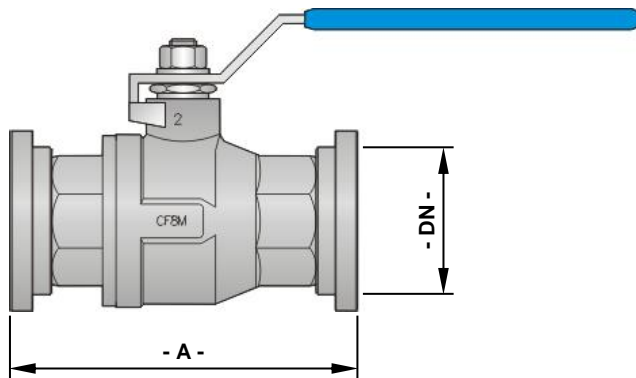


Valve Adapter KF-B - closing under vacuum -



application

KF valve unit with ball-valve and KF-ports for transfer and locking in vacuum-/gas airlock-systems of powder material, granules, gas and multi-phase flows in aerodynamic systems at continuous / semi-continuous processing. Valve Adapter KF-B provides a true gateway as of unit size DN25, transition without shading with steep cone-angles at short unit-length. Different KF-pairings, e.g. for reducing and locking are available.



technical data, dimensions

KF-flanges	DN16	DN25	DN25	DN40	DN40	DN50	DN63	DN100
ball-valve	G $\frac{3}{8}$	G $\frac{1}{2}$	G $\frac{3}{4}$	G1	G1 $\frac{1}{2}$	G1 $\frac{1}{2}$	G2 $\frac{1}{2}$	G3
true gateway	NW8	NW15	NW20	NW26	NW38	NW40	NW65	NW80
unit length A [mm]	69	80	90	107	133	144.5	180	188
net weight [kg]	0.2	0.3	0.3	1.2	1.5	2.2	4.5	6.2
ports	standard-KF							
operation pressure	2 bar max.							
material	stainless steel 1.4301, ball-valve VA/PTFE							
variations	KF-reducing adapter, e. g. DN100-G3-DN63							
definition example	Adapter KF-B DN50-G1 $\frac{1}{2}$ -DN50							



technical data subject to alterations