

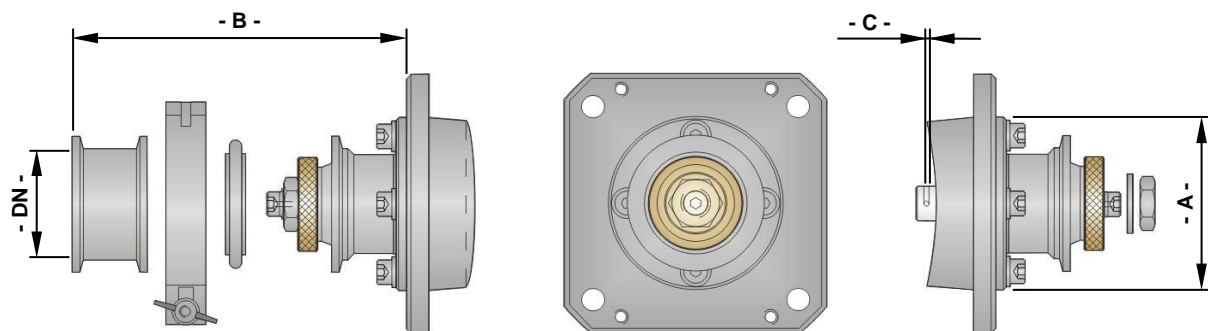
Ventilation Valve VV

- pressure release at reactive operation -



application

VV ventilation valve for Simoloyer® grinding units offers a mechanical break-through function (piston) to safely releasing potential overpressure during/after reactive milling particularly when processing ductile/adhesive materials that might form a crust even under cycle operation. VV-valve is integrated in main-port P01 and must be closed during HKP operation, including KF-coverlid. Process then under protected condition.



technical data, dimensions

unit size	VV01	VV0820	VV100	VV400	VV900
for Simoloyer®	CM01	CM08/CM20	CM100	CM400	CM900
flange A [mm]	ø 50	ø 70	ø 80	ø 80	ø 90
adapt. height B [mm]	70	73	84	84	88
true gateway C	NW2	NW2	NW4	NW4	NW6
piston diameter [mm]	12	14	20	20	20
piston range [mm]	8	8	12	15	20
KF-coverlid	DN40	DN40	DN50	DN50	DN63
piston	PTFE				
axial unit	brass with glide cop bearings				
material casing	stainless steel 1.4301				
operation temperature	50 °C max.				
maintenance	restorable wear-parts				
definition example	Ventilation Valve VV100				

